

## SCREW SCREEN COMPACTOR WITH REINFORCED SHAFTLESS SPIRAL FOR CHANNEL TYPE CSM

Use	Combined machine to separate the solid from the liquid, lift and compact/dewater the screenings before the discharge
Model	Screw screen press for channel installation /T, screw screen press with self supporting tank Screw screen for channel installation /T, screw screen with self supporting tank
Size	With comp. Screen basket nominal diameter: 200; 300; 400; 500; 600; 700 mm
Screen	basket nominal diameter: 200; 300; 400; 500; 600; 700 mm
Screen mesh	0,25 - 0,5 - 1 - 2 mm, wedgewire 2 - 3 - 4 - 5 - 6 - 7 - 10 mm, holes
Capacity	Up to 1000 m <sup>3</sup> /h depending on the model, the effluent and the screen mesh
Type	Screw screen compactor
Make	NEUHOLD CSM
Model	2 - 3 - 4 - 5 - 6 - 7
Screen mesh	0,25 - 0,5 - 1 - 2 - 3 - 5 - 7 - 10 mm
Screw model	Shaftless

### Construction materials:

Stainless steel AISI 304 or AISI 316

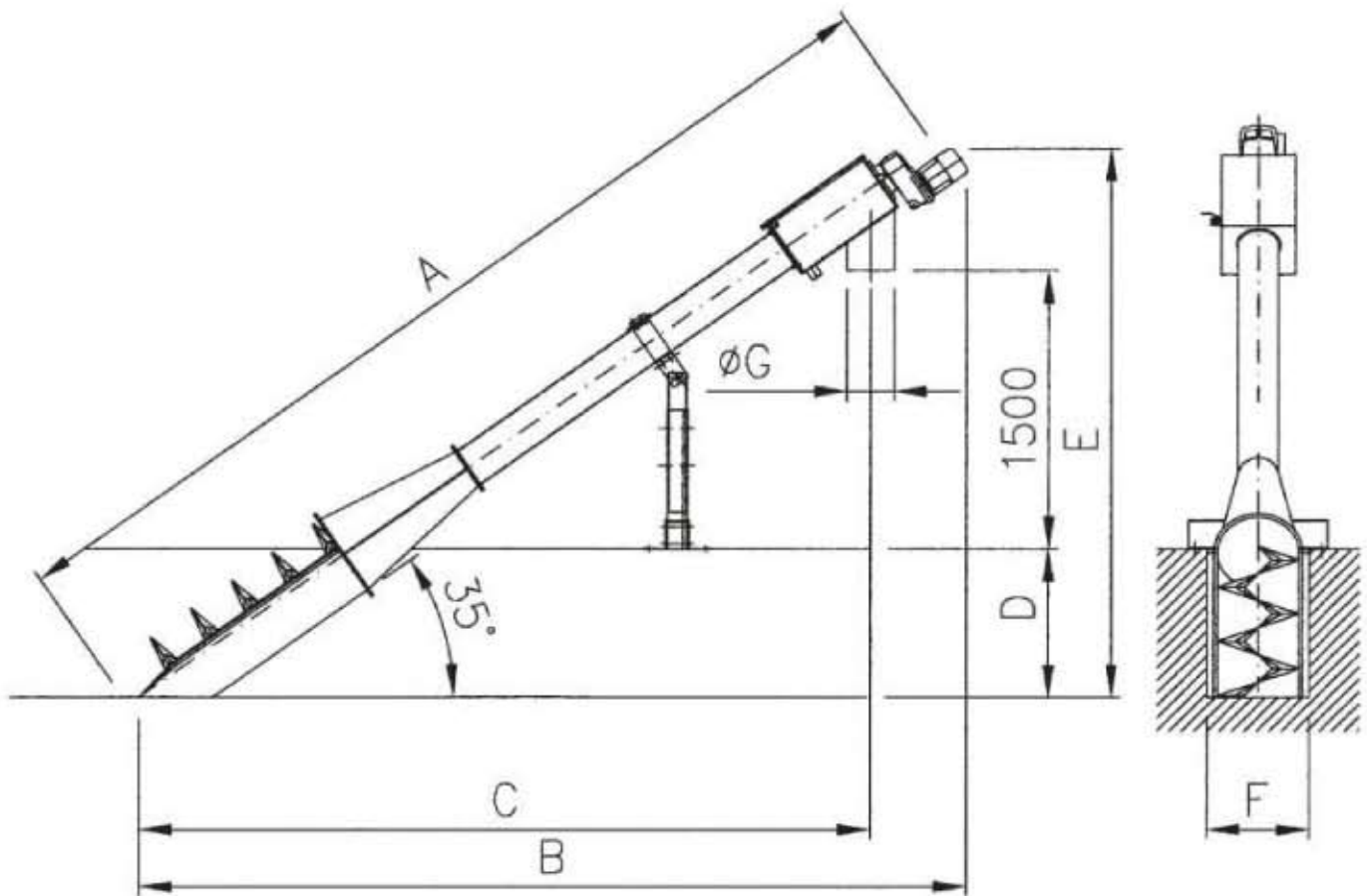
Spiral in special mild steel or AISI 304 or AISI 316

### Applications:

- WWTP
- Food and packaging
- Slaughterhouse



**Dimensions:**



Model	CSM 2	CSM 3	CSM 4	CSM 5	CSM 6	CSM 7
A	5355	5355	5355	5355	5760	6100
B	4500	4500	4500	4500	4890	5160
C	3963	3965	3965	3965	4220	4480
D	800	800	800	800	800	1000
E	2990	3000	3000	3000	3230	3430
F	350	350	450	550	650	850
G	265	273	273	273	406	406
Kg	400	430	470	520	610	660
Kw	0,55	0,55	0,55	0,55	1,1	1,1