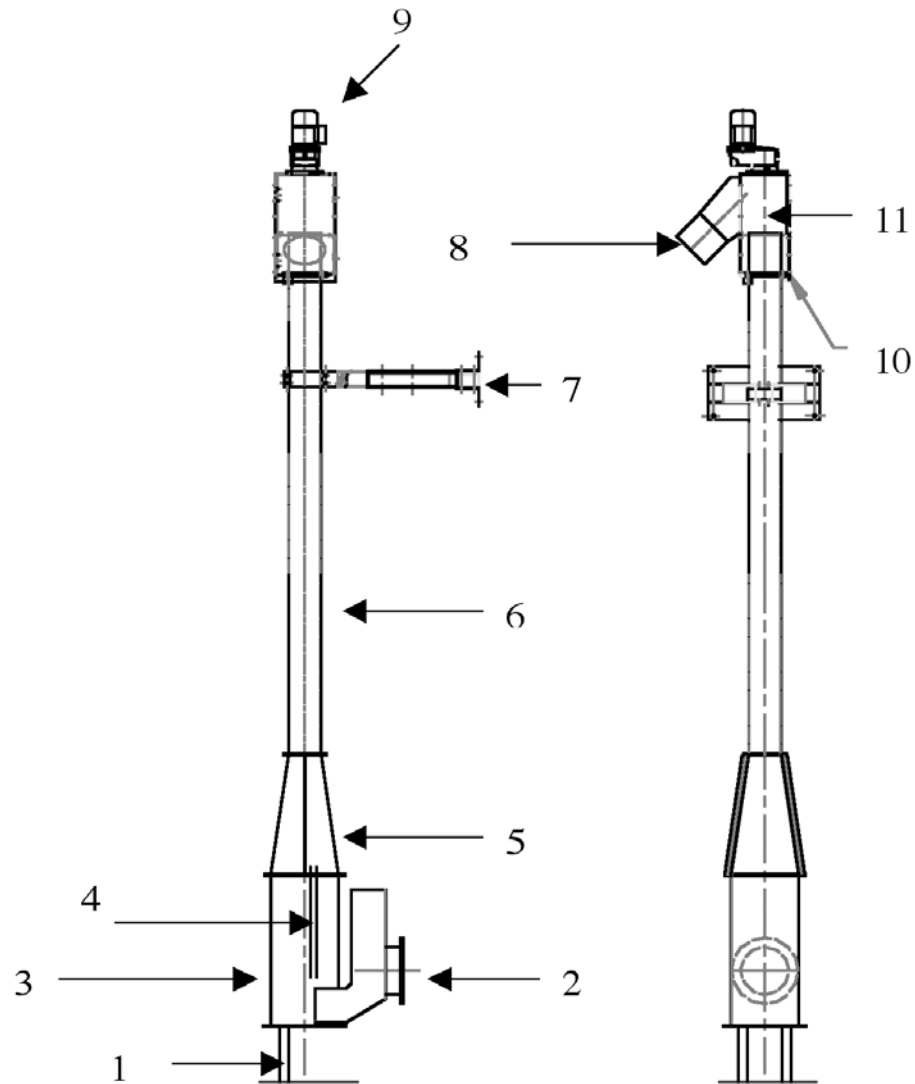


10 SCREEN SCREW COMPACTOR FOR VERTICAL INSTALLATION TYPE MID/V



Use	Combined machine to separate the solid from the liquid, and to lift the screenings before the discharge
Model	Screw screen press for vertical installation
Size	With comp. Screen basket nominal dia: 200; 300; 400; 500; 600; 700 mm Without comp. Screen basket nominal dia: 200; 300; 400; 500; 600; 700 mm
Screen mesh	0,25 - 0,5 - 1 - 2 mm, wedgewire 2 - 3 - 4 - 5 - 6 - 7 - 10 mm, holes
Capacity	Up to 1000 m ³ /h depending on the model, the effluent and the screen mesh



Pos.	Description
1	Lower Support
2	Effluent inlet pipe
3	Screen basket from 0,25 mm to 10 mm meshes
4	Washing system in the screen zone
5	Conic zone
6	Zone transport
7	Upper support
8	Screenings outlet
9	Gearmotor 0,55 Kw for MID2/V - MID3/V - MID4/V - MID5/V 1,1 Kw for MID6/V - MID7/V
10	Compaction zone
11	Washing system in the compaction zone

Capacity table:

You have to multiply the capacity from the table by the appropriate hereunder coefficient

EFFLUENT	COEFFICIENT
Municipal from 200 to 500 mg/l solid suspended in dry time	1
Municipal rain time	1,3
Food Industry and beverage	0,7
Slaughterhouse	0,5
Tannery and textile	0,6

Screen mesh mm	MID 2/V m ³ /h	MID 3/V m ³ /h	MID 4/V m ³ /h	MID 5/V m ³ /h	MID 6/V m ³ /h	MID 7/V m ³ /h
7	180	200	368	480	670	1070
6	155	180	277	425	612	1030
5	140	160	270	396	594	970
3	100	126	180	324	468	750
2	85	100	150	315	420	670
1	50	90	130	270	360	530
0,5	45	60	90	195	280	370
0,5	20	35	55	130	200	290
Max level before the screen	400 mm	435 mm	460 mm	570 mm	680 mm	800 mm

SCREEN SCREW COMPACTOR ACCESSORIES:

- 01 Lengthening for screen screw compactor
- 02 Shortening for screen screw compactor
- 03 Special inclination, untill 50°
- 04 Washing system in the screen zone
- 05 Washing system in the transport zone
- 06 Bagging unit including 70 mt. continuously bag
- 07 Insulation on the tube of the standard machine
- 08 Insulation on the compaction zone